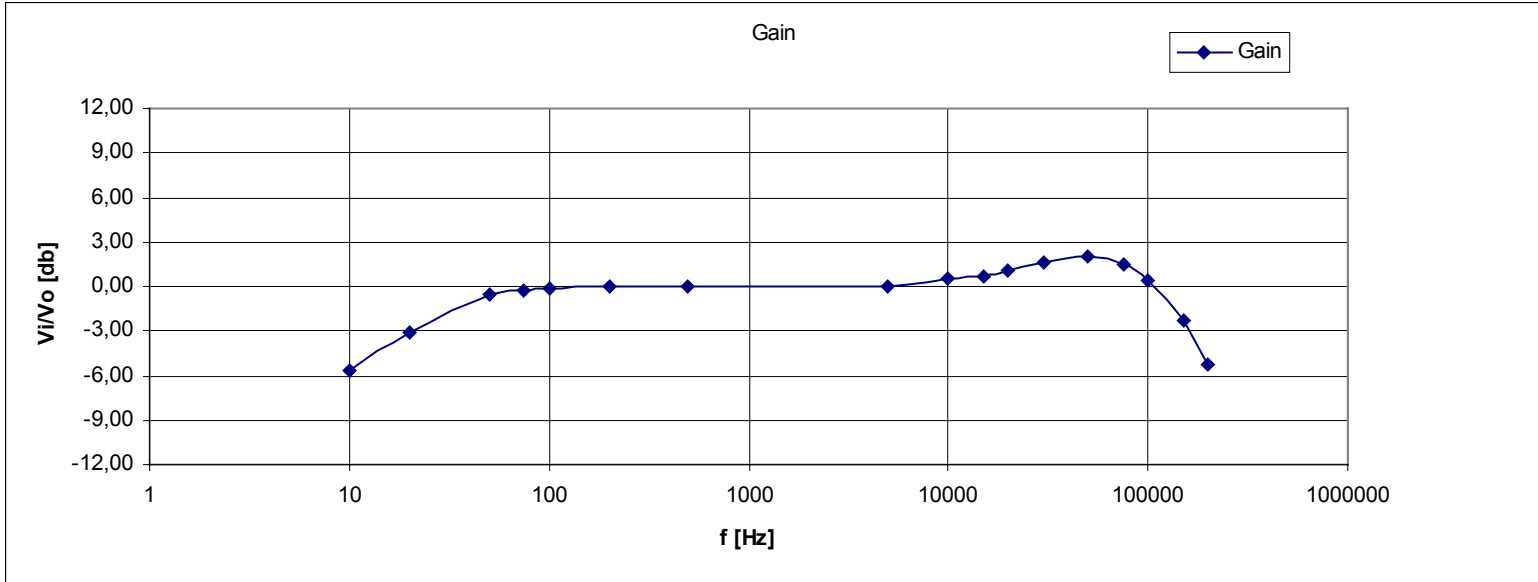
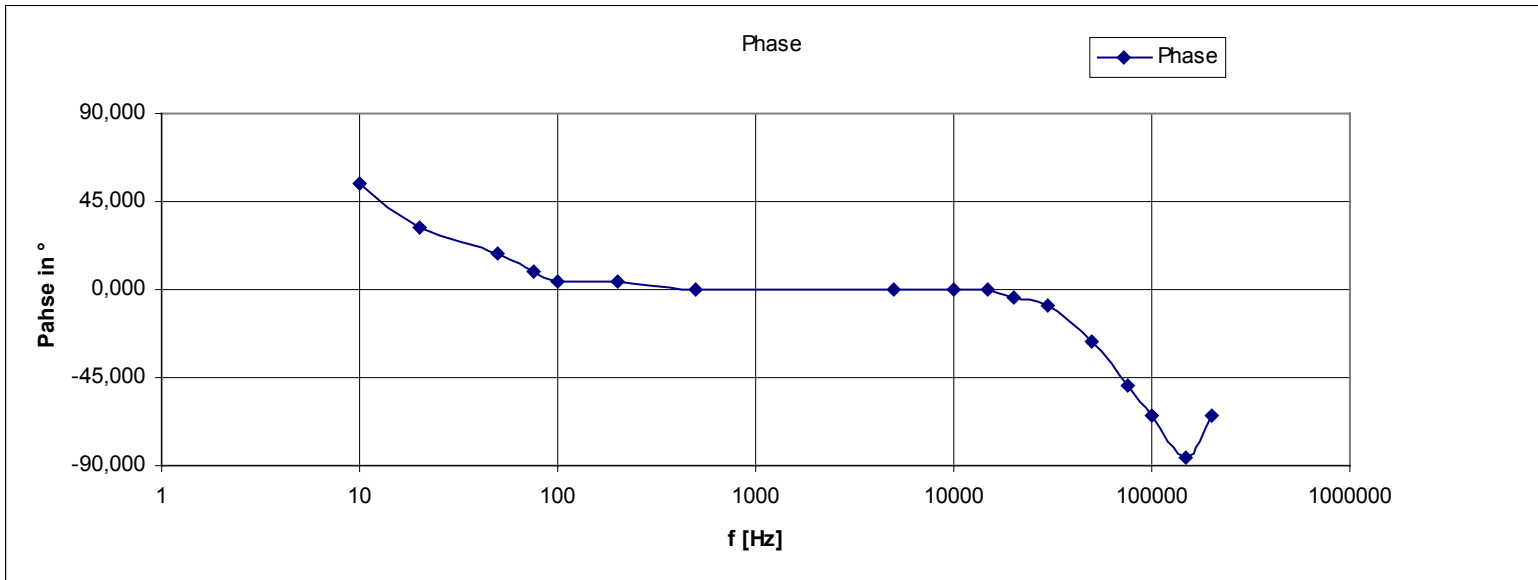


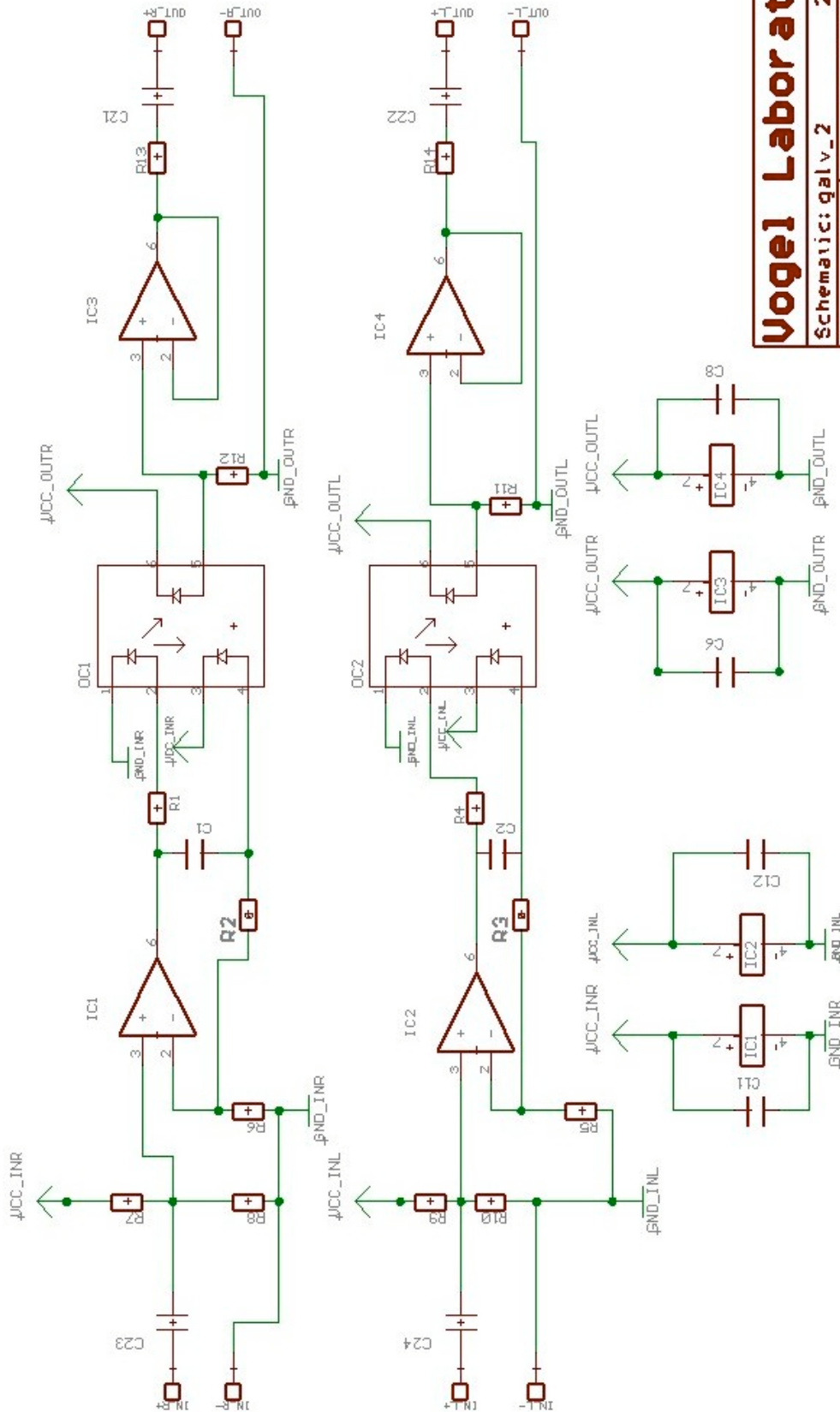
Galvanic Isolated Audio Transmitter

Gain vs. frequency



Phase vs. frequency





Vogel Laboratorium

Schematic: galv_v2 2/2
 Sign: AV Date: 18.05.2002 12:12:30