

6

5

4

3

2

1

IR Transmitter and Receiver

REVISION RECORD			
LTR	ECO NO:	APPROVED:	DATE:

D

D

C

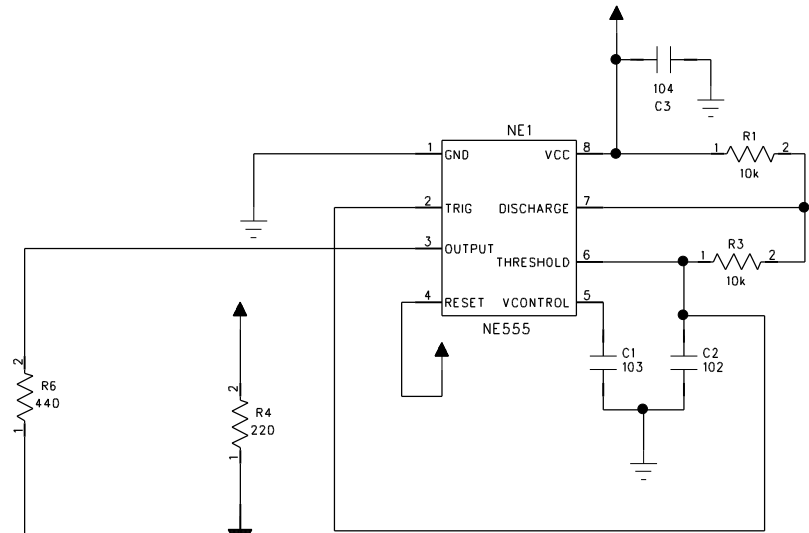
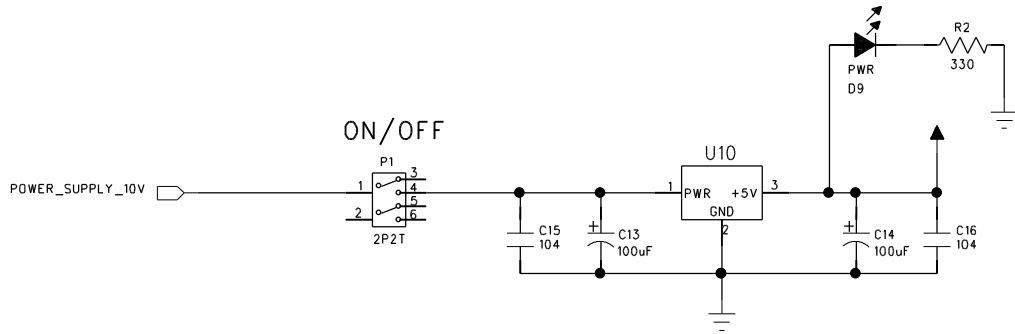
C

B

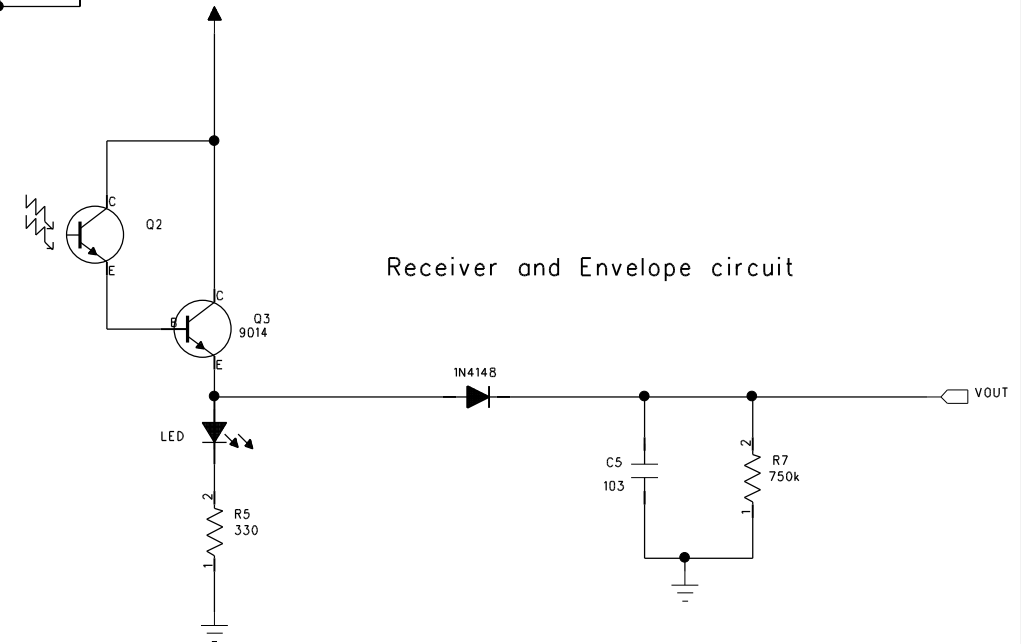
B

A

A



40kHz IR LED Circuit



Receiver and Envelope circuit

COMPANY:			
TITLE: 48kHz IR Transmitter			
DRAWN: Dillion Wong	DATED: 23-3-04	CODE:	SIZE:
CHECKED:	DATED:	DRAWING NO: IRTransmitterAndDetectorsch	
QUALITY CONTROL:	DATED:	REV:	
RELEASED:	DATED:	SCALE:	SHEET: OF