

6

5

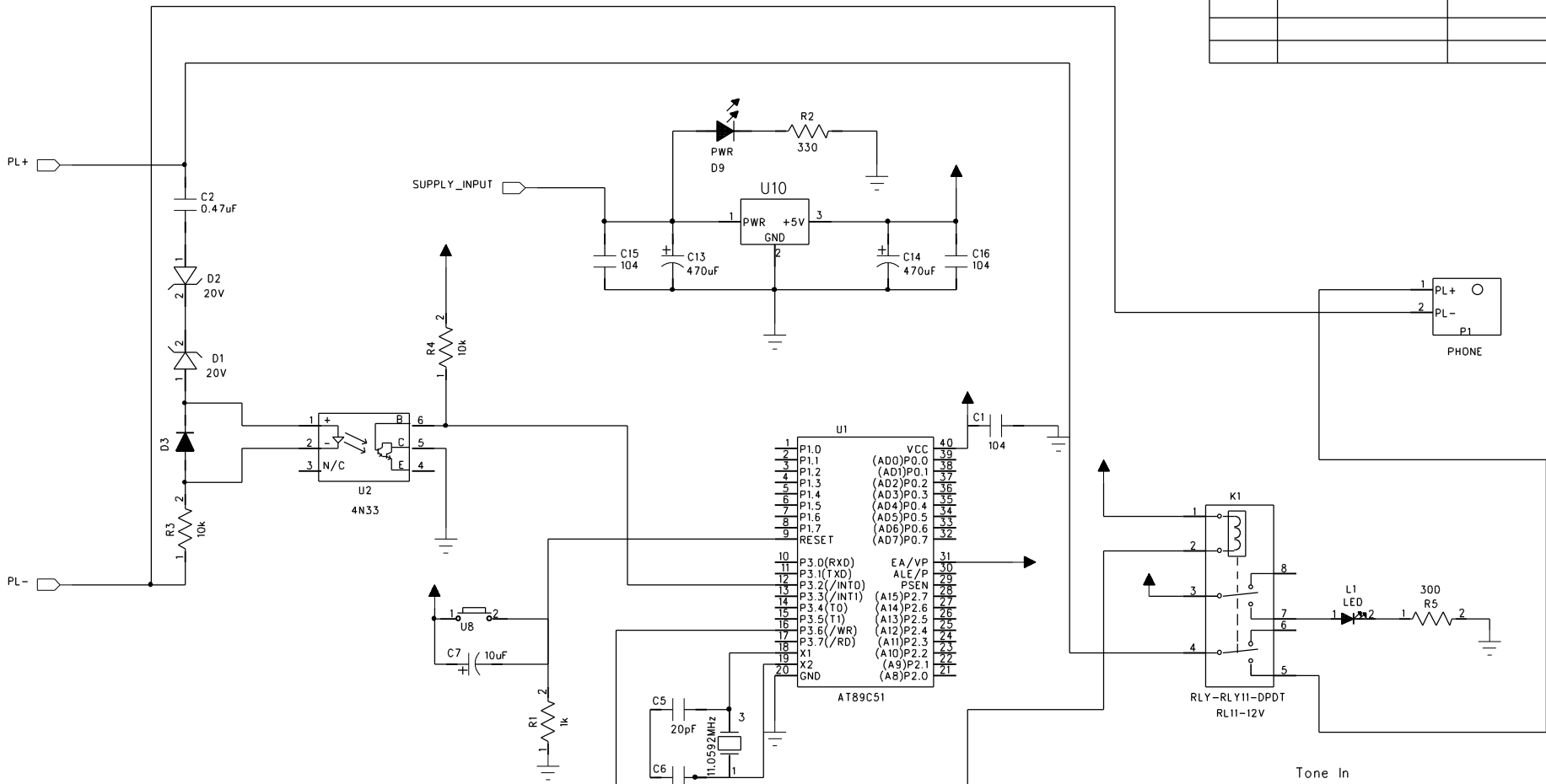
4

3

2

1

REVISION RECORD			
LTR	ECO NO:	APPROVED:	DATE:



D

D

C

C

B

B

A

A

DRAWN: Dillian Wong	DATED: 8-2-04
CHECKED:	DATED:
QUALITY CONTROL:	DATED:
RELEASED:	DATED:

COMPANY:			
TITLE: When the phone ring, ringing pulse will trigger the 8051 interrupt pin, and the phone line then will off hook.			
CODE:	SIZE:	DRAWING NO: AutoHook.sch	REV:
SCALE:		SHEET: OF	