

6

5

4

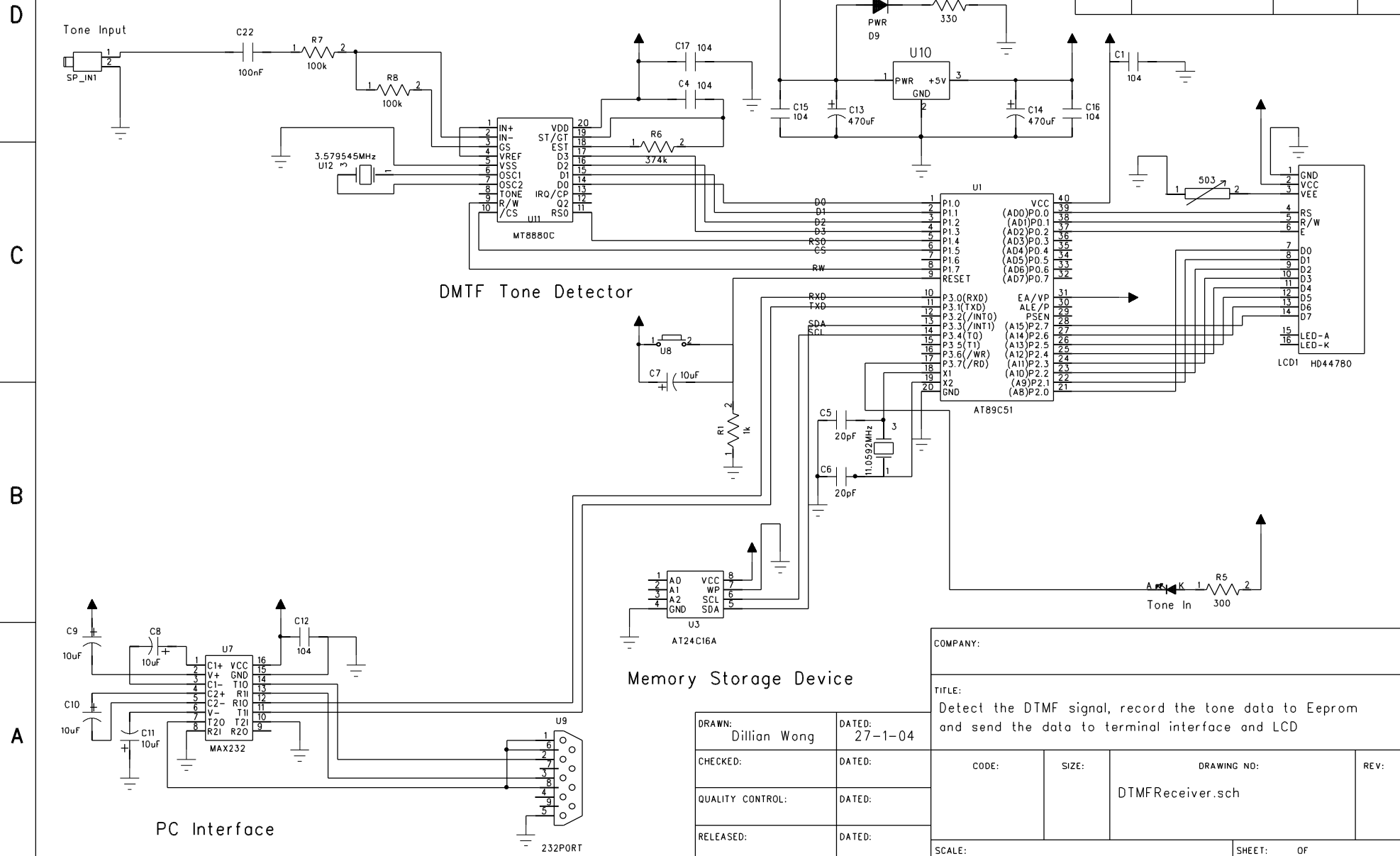
3

2

1

DTMF Signal Receiver

REVISION RECORD			
LTR	ECO NO:	APPROVED:	DATE:



D

D

C

C

B

B

A

A

COMPANY:

TITLE:
Detect the DTMF signal, record the tone data to Eeprom and send the data to terminal interface and LCD

DRAWN: Dillian Wong	DATED: 27-1-04	CODE:	SIZE:	DRAWING NO:	REV:
CHECKED:	DATED:	DTMFReceiver.sch			
QUALITY CONTROL:	DATED:				
RELEASED:	DATED:	SCALE:	SHEET: OF		