

6

5

4

3

2

1

D

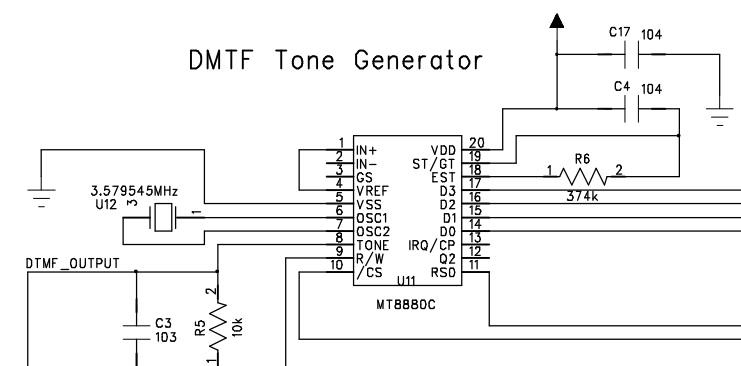
C

B

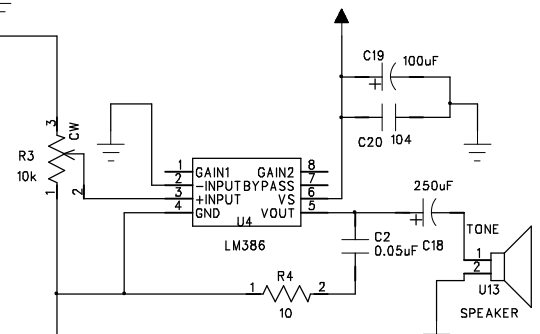
A

REVISION RECORD			
LTR	ECO NO:	APPROVED:	DATE:

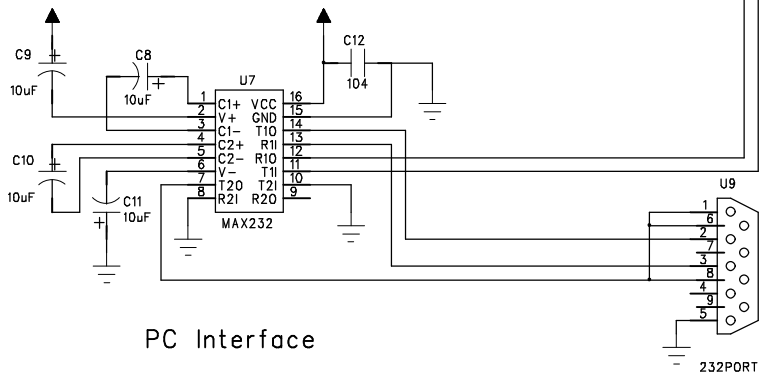
DMTF Tone Generator



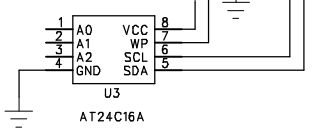
Audio Amplifier



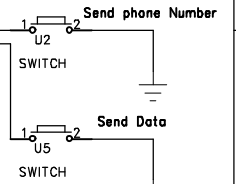
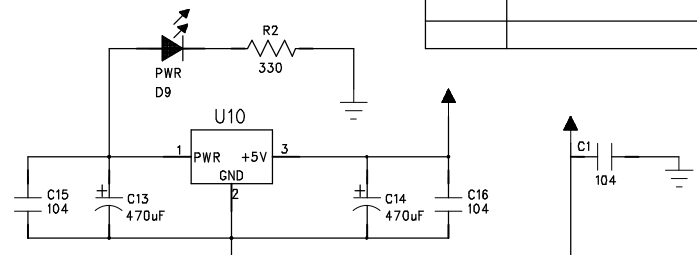
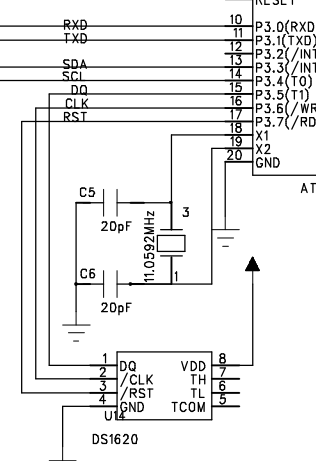
PC Interface



Memory Storage Device



Temperature Sensor



COMPANY:

TITLE:  
DS1620 measure the Temperature. MPU then convert it to DTMF tone and transmit the tone via the speaker

DRAWN: Dillian Wong	DATED: 16-1-04
CHECKED:	DATED:
QUALITY CONTROL:	DATED:
RELEASED:	DATED:

CODE:	SIZE:	DRAWING NO:	REV:
SCALE:			SHEET: OF