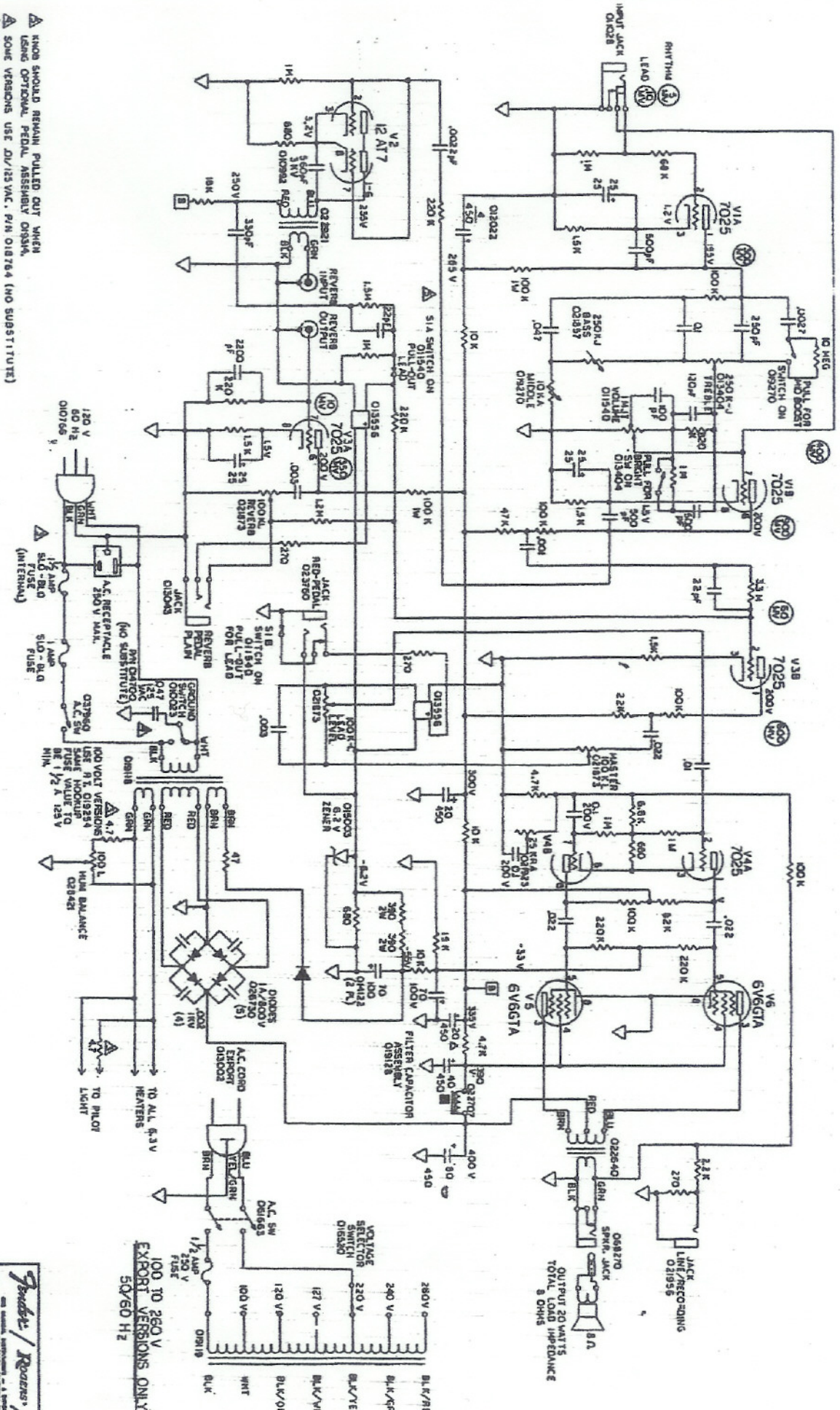


- ▲ KNOBS SHOULD REMAIN PULLED OUT WHEN LEAVING OPTIONAL PEDAL ASSEMBLY DISMOUNTED.
- ▲ SOME VERSIONS USE DI/155 VAC. P/N 018764 (NO SUBSTITUTE)
- ▲ USED IN SOME VERSIONS.
- 2. ALL CAPACITORS 500 V MIN.
- 1. ALL RESISTORS 1/2 WATT ± 10%.
- ▲ DENOTES TYPICAL 1MΩ SIGNAL REQUIRED FOR 1 WATT R.A.M. OUTPUT AND 450 MW REVERSE LOAD DRIVE IN RHYTHM MODE. ALL CONTROLS MAX AND BOOSTS OFF.



100 TO 360 V
EXPORT VERSIONS ONLY
50/60 HZ

Schematic, C.S.A. EXPORT A JAP	
E.O. WATT REVERB AMP W/ BOOST P	
REV. NO.	019320
DATE	1-7-61
BY	D
CHKD.	
APP. BY	
DATE	
REVISED	
NO.	

PR II

FENDER PRINCETON REVERB II AMPLIFIER (214600)

PARTS LIST

019363 Cabinet w/hdw.
 019538 Grill Frame w/hdw
 019630 Upper Cabinet Back
 019631 Lower Cabinet Back
 019170 Handle w/insert
 019279 Handle cap
 019308 Glide assy
 024695 Corner - two screw
 019585 Tolex
 018252 Grill cloth
 019343 Control plate
 019344 Rear chassis plate
 011298 Fender logo
 019465 12" speaker
 010129 12" EV speaker
 019118 Power transformer
 022640 Output transformer
 022707 Choke
 022921 Reverb Output Transformer
 018454 Reverb pan
 013341 7025/12AX7A tube
 023564 6V6GTA tube
 019419 21" reverb cable

CAPACITORS

010541 .0022 mfd 10% 600v
 010992 560 pf 10% 3kv
 014700 .047 mfd 125v
 023257 .002 10% diele
 019128 80 mfd x 40x20 450v
 004026 .0000222 mfd 10% 1000v
 004513 .022 mfd 10% 10v
 008159 .1 mfd 20% 600v
 009512 25 mfd 25v
 010543 .01 mfd 10% 600v
 012022 4 mfd 450v
 012754 .047 ± 10% 600v
 014122 70 mfd 100v
 020867 .00033 mfd 10% 1kv
 020875 .003 mfd 10% 1kv
 020909 .000047 mfd 500v
 020917 .00025 mfd 10% 1kv
 020925 120 pf 10% 1kv
 021022 .1 mfd 200v
 029320 .0027 10% 600v
 094953 .001 mfd 10% 600v
 020842 .0005 mfd 10% 1kv
 069724 .0001 mfd 10% 1kv

DIODES

026730 1 amp 800v
 013556 VacTec Led/1dr
 015003 IN5234B Zener

RESISTORS

021279 10k ohm 10% 1/2w
 031062 4.7k ohm 10% 1/2w
 008167 100k 10% 1w
 011252 1.5 meg 10% 1/2w
 011302 150 ohm 10% 1/2w
 017041 1.2 meg 10% 1/2w
 021162 47 ohm 10% 1/2w
 021212 1.5k ohm 10% 1/2w
 021220 2.2k ohm 10% 1/2w
 021253 6.8k ohm 10% 1/2w
 021295 22k ohm 10% 1/2w
 021311 47k ohm 10% 1/2w
 021337 68k ohm 10% 1/2w
 021345 100k ohm 10% 1/2w
 021360 1 meg ohm 10% 1/2w
 021386 3.3 meg ohm 10% 1/2w
 021493 220k ohm 10% 1/2w
 032136 82k ohm 10% 1/2w
 065771 120k ohm 10% 1/2w
 065847 820k ohm 10% 1/2w
 070128 680 ohm 10% 1/2w
 073593 12k ohm 10% 1/2w
 073601 18k ohm 10% 1/2w
 021394 10 meg ohm 10% 1/2w
 019256 390 ohm 10% 2w
 073502 270 ohm 10% 1/2w

CONTROLS

011540 1 meg (volume)
 013404 250k w/switch (treble)
 019270 10k audio w/pull switch (mid)
 021857 250k audio (bass)
 021873 100k (reverb, lead level, master)
 021923 25k (presence)
 028421 100 ohm (hum balance)

SCREWS

011231 Cabinet back mounting
 019277 Speaker mounting
 022160 Glide mounting
 022103 Corner mounting
 022244 Handle mounting
 022152 Logo mounting
 022236 Chassis strap mounting

WASHERS

010823 Dress - pilot light
 014567 Flat enamel (pedal jack)
 031153 Finish (jacks)
 016436 Lock internal (controls)
 022384 Lock internal (hum balance pot)
 022293 Toggle switch
 043760 Neoprene (fuse holder)

NUTS

021972 Tee Nut (handle mounting)
 016352 Jack, control mounting
 022012 Toggle switch mounting
 031625 Pilot light holder mounting
 031666 Fuse holder mounting
 019282 Pem (chassis)

MISCELLANEOUS

013485 Knob (Bass, reverb, lead level, master, presence)
 024604 Knob (volume, treble, mid)
 010766 Line cord
 007565 Strain relief bushing (AC cord)
 016081 Capacitor clamp
 022491 Cable clamp
 010023 Toggle switch SP-DT
 037960 Toggle switch SP-ST
 011028 Jack (input)
 013043 Jack (pedal)
 021824 Jack (Reverb input & output)
 021956 Jack (line recording)
 023760 Jack (pedal - red)
 068270 Jack (speaker)
 021527 Fuse holder
 021667 1A slo blo fuse
 021642 #47 pilot light
 021741 Pilot light holder
 032219 Pilot light collar
 025718 Pilot light jewel
 023580 Tube socket 8 pin
 023606 Tube socket 9 pin
 023598 Tube shield
 024752 Chassis Strap

EXPORT MODEL ONLY

013002 Line cord
 016520 Voltage Selector
 019119 Power Transformer
 019345 Rear Chassis Plate
 036788 1-1/2A slo blo fuse
 061663 Toggle Switch DPST