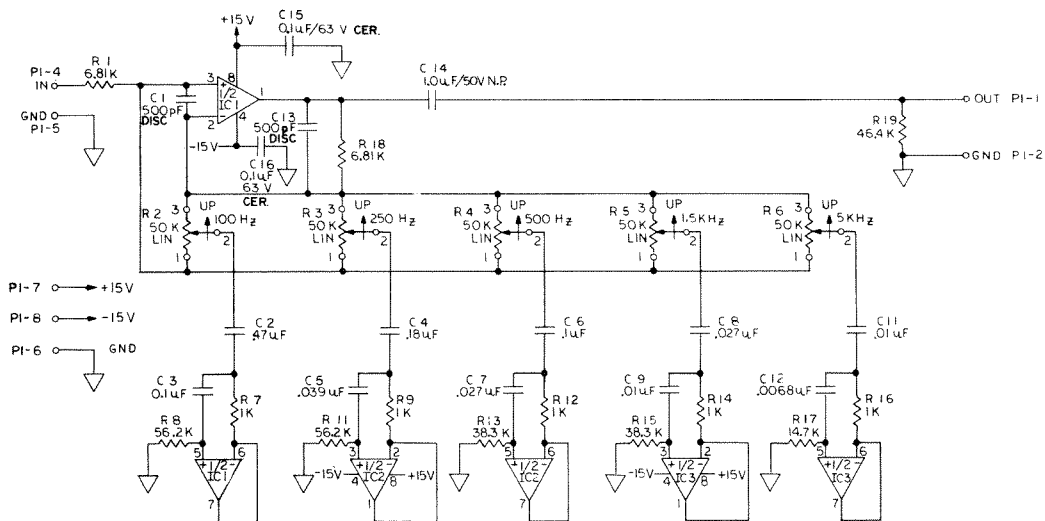


8. UNLESS OTHERWISE SPECIFIED, ALL CAPS. ARE DISC/CERAMIC:
 NP - NON-POLARIZED ELECTROLYTIC
 $\frac{H}{\square}$ - POLARIZED ELECTROLYTIC
7. TRANSISTORS Q5&6 ARE TIP29D P/N 020597
 6. TRANSISTORS Q4&7 ARE TIP30D P/N 020598
 5. TRANSISTORS Q1,2&3 ARE 2N5210 P/N 020482
 4. DIODES D1 & D2 ARE P/N 006260.
 Δ MOUNTED ON HEAT SINK.
2. ALL CAPACITOR VALUES ARE IN MICROFARADS.
 1. ALL RESISTOR VALUES ARE IN OHMS $\pm 1\%$, $\frac{1}{4}$ W.
- NOTES: UNLESS OTHERWISE SPECIFIED

Fender / ROGERS / Rhodes
 CBS MUSICAL INSTRUMENTS - A DIVISION OF CBS, INC.
 FULLERTON, CALIFORNIA 92631

PART NAME
SCHEMATIC
150 WATT POWER AMPLIFIER

RELEASE P1-10-78	SIZE C	PART NO. 019373	REV A
SCALE	MODEL USED ON NO. SHOWMAN		

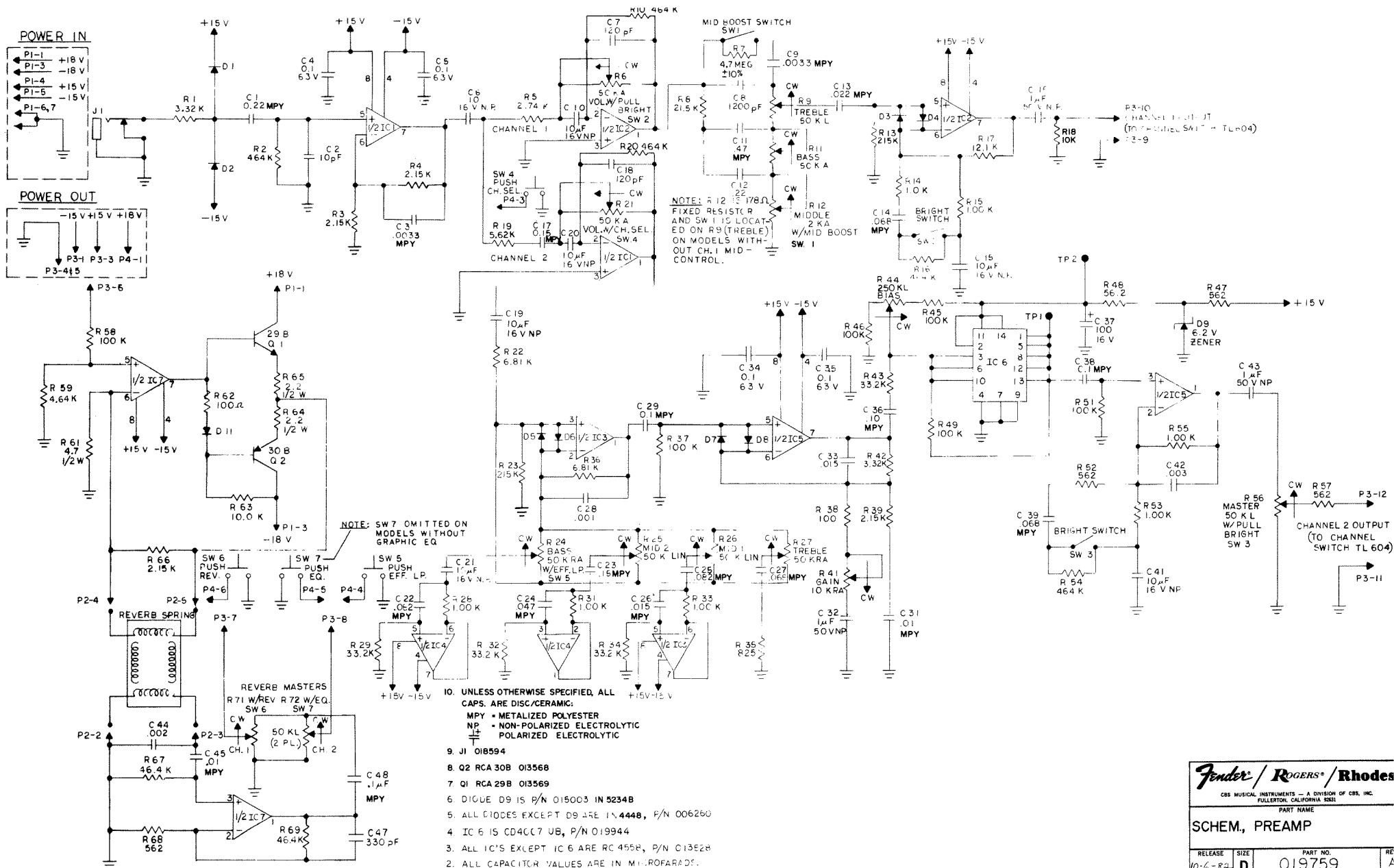


5. UNLESS OTHERWISE SPECIFIED, ALL CAPS. ARE METALLIZED POLYESTER.
 NP - NON-POLARIZED ELECTROLYTIC
4. ITEM DESIGNATIONS IN DECADES OF 10 ARE OMITTED.
 3. ALL IC'S ARE RC4558, P/N 013528.
 2. ALL CAPACITORS ARE 16V MINIMUM RATING.
 1. ALL RESISTOR ARE OHMS $\pm 1\%$, $\frac{1}{4}$ WATT.
- NOTES: UNLESS OTHERWISE SPECIFIED

Fender / ROGERS / Rhodes
 CBS MUSICAL INSTRUMENTS - A DIVISION OF CBS, INC.
 FULLERTON, CALIFORNIA 92631

PART NAME
SCHEMATIC, 5 BAND GRAPHIC
EQUALIZER

RELEASE A-10/77/SC	SIZE C	PART NO. 019550	REV A
SCALE	MODEL USED ON NO. LONDON		



NOTES: UNLESS OTHERWISE SPECIFIED

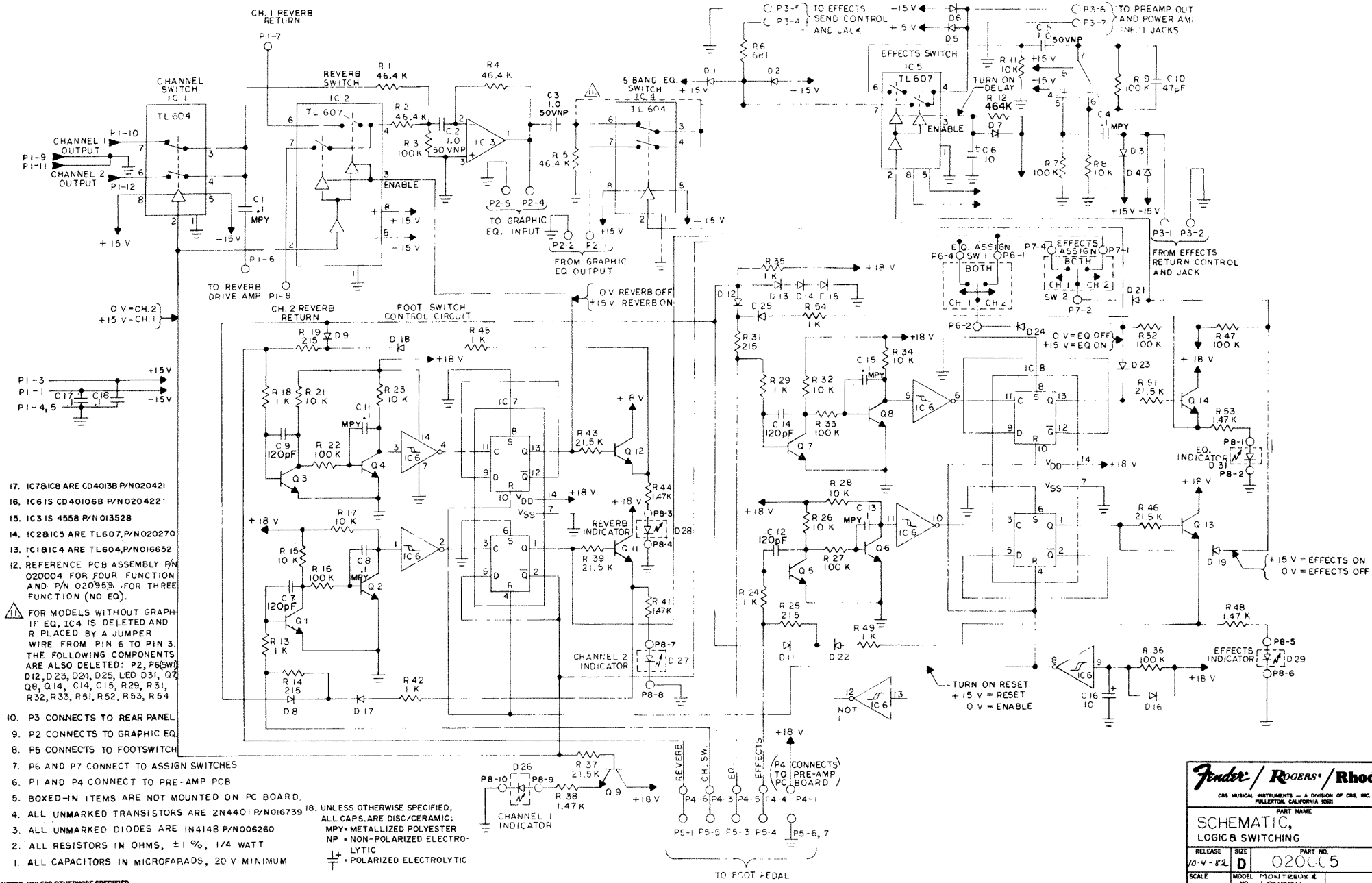
1. ALL RESISTOR VALUES ARE IN OHMS, $\frac{1}{4}$ W., $\pm 1\%$
2. ALL CAPACITOR VALUES ARE IN MICROFARADS.
3. ALL IC'S EXCEPT IC 6 ARE RC 4558, P/N 013528
4. IC 6 IS CD4007 UB, P/N 019944
5. ALL DIODES EXCEPT D9 ARE 1N4448, P/N 006260
6. DIODE D9 IS P/N 015003 IN 5234B
7. Q1 RCA 29B 013569
8. Q2 RCA 30B 013568
9. J1 018594
10. UNLESS OTHERWISE SPECIFIED, ALL CAPS. ARE DISC/CERAMIC.
 MPY = METALIZED POLYESTER
 NP = NON-POLARIZED ELECTROLYTIC
 PE = POLARIZED ELECTROLYTIC

Fender / ROGERS® / Rhodes
 CBS MUSICAL INSTRUMENTS — A DIVISION OF CBS, INC.
 FULLERTON, CALIFORNIA 92631

PART NAME

SCHEM., PREAMP

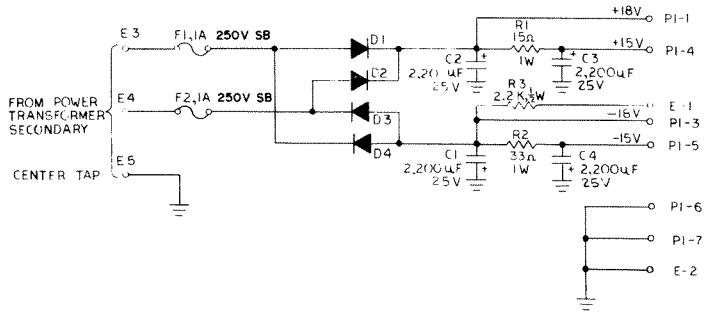
RELEASE	SIZE	PART NO.	RE
10-6-82	D	019759	A
SCALE	MODEL (OR USED O.I. NO.)	MONT. LONDON	



Fender / ROGERS / Rhodes
 CBS MUSICAL INSTRUMENTS - A DIVISION OF CBS, INC.
 FULFORD, CALIFORNIA 92301

PART NAME
SCHEMATIC, LOGIC & SWITCHING

RELEASE	SIZE	PART NO.	REV
10-4-82	D	020005	
SCALE	MODEL	MONTEBELL & LONDON	



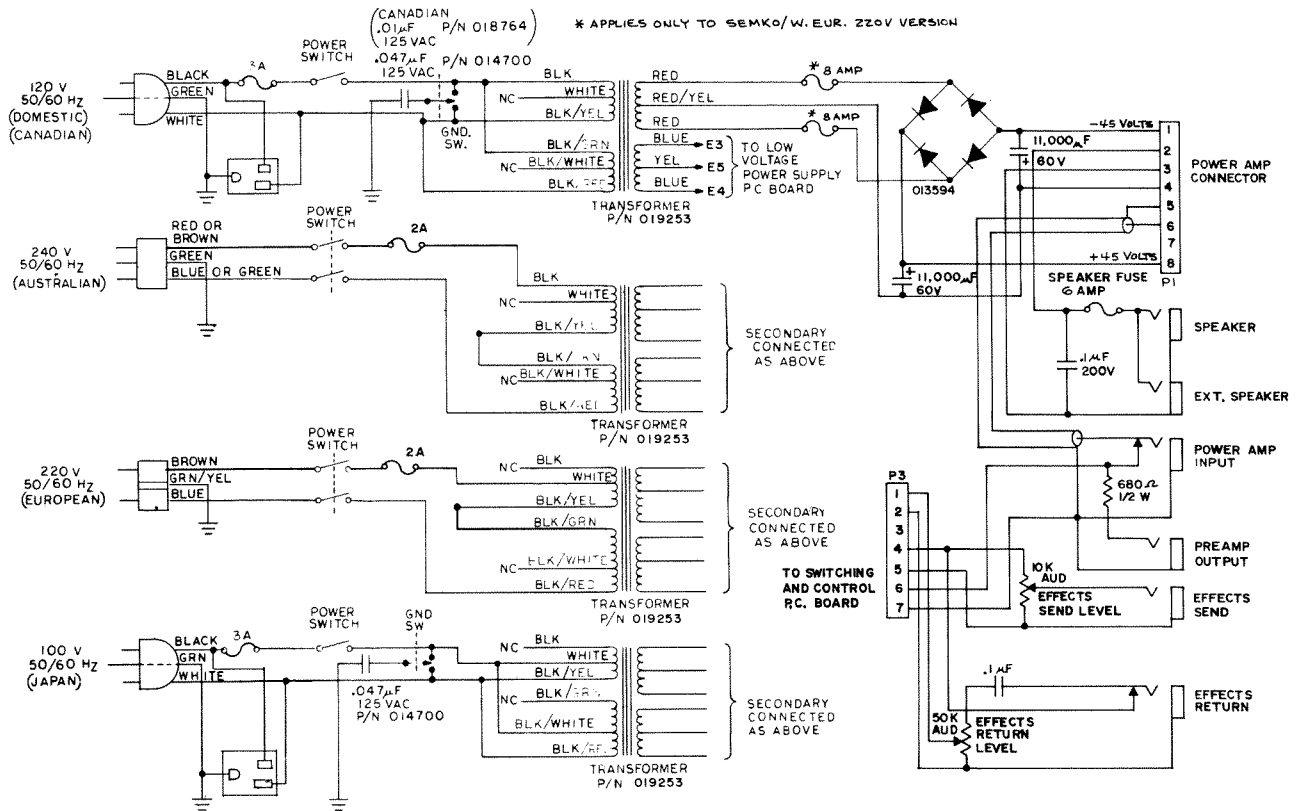
NOTES: UNLESS OTHERWISE SPECIFIED

I, DICDF, ARE 1.5 AMP, 200 VOLT, P/N 018030

Fender / ROGERS / Rhodes
 CBS MUSICAL INSTRUMENTS - A DIVISION OF CBS, INC.
 FULLERTON, CALIFORNIA 92741

PART NAME
SCHEMATIC, LOW VOLTAGE P/S

RELEASE	SIZE	PART NO.	REV
10-7-82	B	020051	A
SCALE	MODEL	ID# USED ON	
N/A		LONDON, MONT.	



NOTES: UNLESS OTHERWISE SPECIFIED

Fender / ROGERS / Rhodes
 CBS MUSICAL INSTRUMENTS - A DIVISION OF CBS, INC.
 FULLERTON, CALIFORNIA 92741

PART NAME
SCHEMATIC, A.C. WIRING SH-OWMAN

RELEASE	SIZE	PART NO.	REV
10-7-82	C	021256	D
SCALE	MODEL	NO.	