

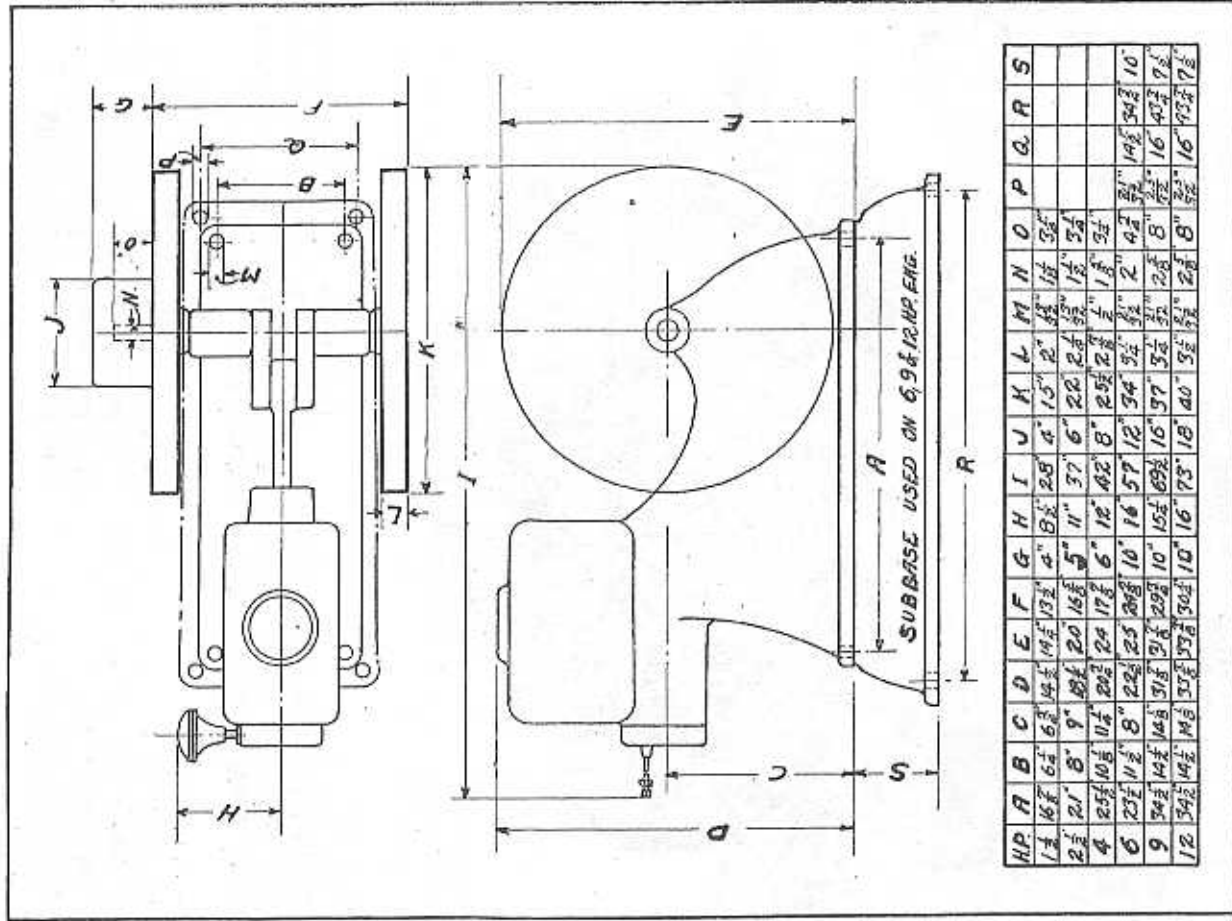
Fig. 506
12 H. P.
T & M
Hopper
Cooled
Engine

Specifications

Cylinder: Cast separate from base.
Speed: 260 revolutions per minute.
Net weight: 2400 lbs. Gross weight packed for Export: 3000 lbs.
Cubic measurement packed for Export: 110 cubic feet.
Flywheel: 40 inches diameter.
Weight of each flywheel: 430 lbs.
Crank shaft: 2 3/8 inches diameter.
Bearing: Best copper hardened babbitt.
Piston: 4 snap rings and oil grooves.
Connecting rod: Steel, brass end and bushed.
Ignition: Make and break, adjustable.
Gears: All machine cut. Governor: Hit and miss, adjustable.
Floor space: 42x72 inches. Height: 48 inches.
Pulley: 18x10 inches, straight face.
Fuel Tank capacity: 15 gallons. Hopper capacity: 16 gallons.
Equipment: Includes muffler, fuel tank, batteries, coil, switch, skids, spark plug, oil and grease cups, wrenches, oil can and complete instructions for operating.

Parts not Included, but Supplied Extra when Ordered

Friction clutch, magneto, kerosene and illuminating gas attachment, compression plates for different altitudes, and fuel pump. FOR PRICES SEE PRICE LIST.

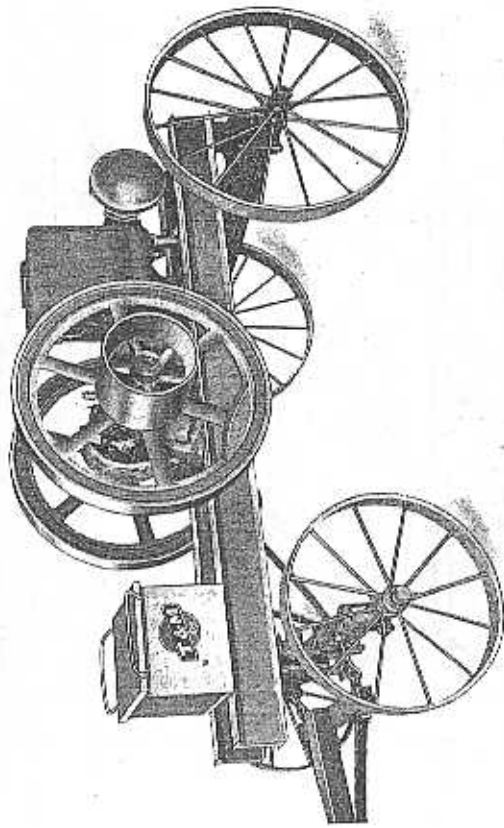




T & M Portable Engines

All sizes and types of T & M engines can be supplied mounted on trucks—the 1, 1½, 2½ and 4 h. p. on hand trucks. The 6 h. p. and above on horse-drawn trucks. The trucks are very substantially built, and are *supplied complete* in every detail, so that the outfit is *ready to operate* as soon as received.

Trucks are very convenient for moving an engine from place to place. The T & M engines are so *well balanced* that they run exceptionally smooth on trucks. This is a very important feature that should not be overlooked.



6 H. P. T & M Engine on Trucks

The specifications of the trucks are as follows:

No. of Truck	SIZE OF WHEEL		Gross Wt. Packed	Size of Engine	Cu. Ft. Packed
	Front	Rear			
1	10-inch	12-inch	125	1, 1½, 2½	3
4	14-inch	16-inch	160	4 h. p.	4
6	26-inch	28-inch	390	6 h. p.	8
9	26-inch	28-inch	280 lbs.	9 h. p.	10
12	26-inch	34-inch	520	12 h. p.	12

We are prepared to make prompt shipment of any of the above described trucks, either separate or with engine mounted thereon.



See price list for prices on the different sizes of trucks.

The horse trucks are equipped with pole or shaft as ordered, but will be sent with pole unless otherwise ordered.

Friction clutches can be attached in any desired size the same as with our stationary engines.

We can mount saw arbors, pumps, dynamos, etc. on the trucks where any of these combinations are desired, and will be glad to make estimates on your requirements.

For special portable saw rigs, see page 18.

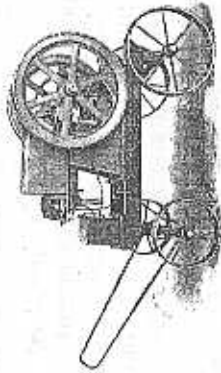
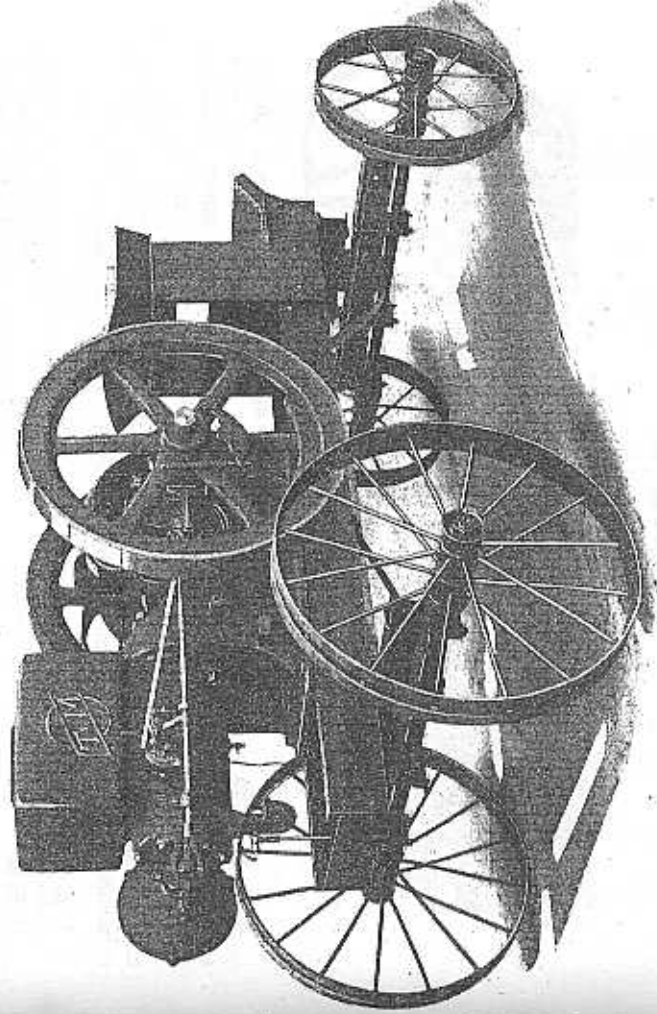


Fig. 509

4 H. P. Engine Mounted on Hand Trucks



9 and 12 H. P. T & M Engine on Trucks