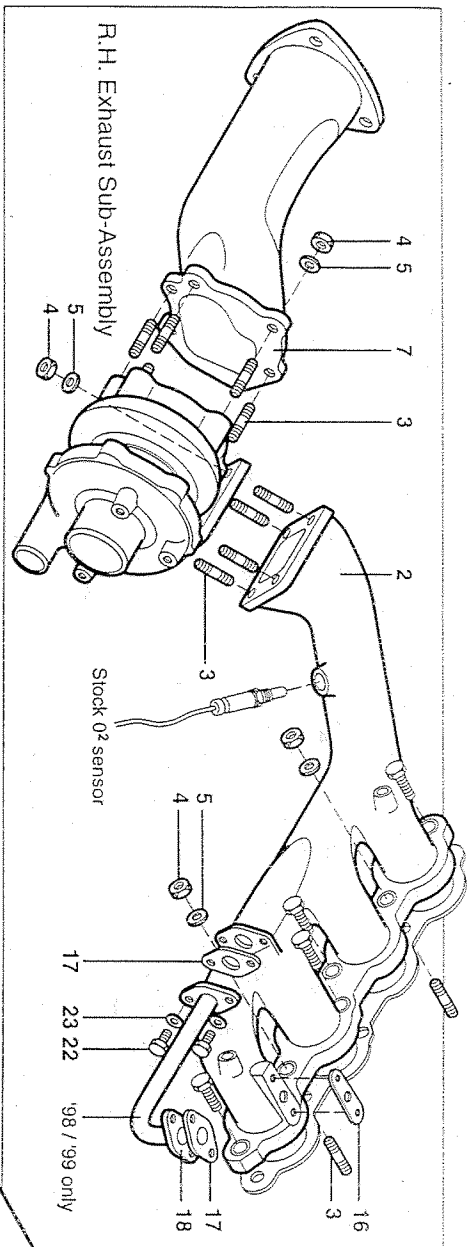
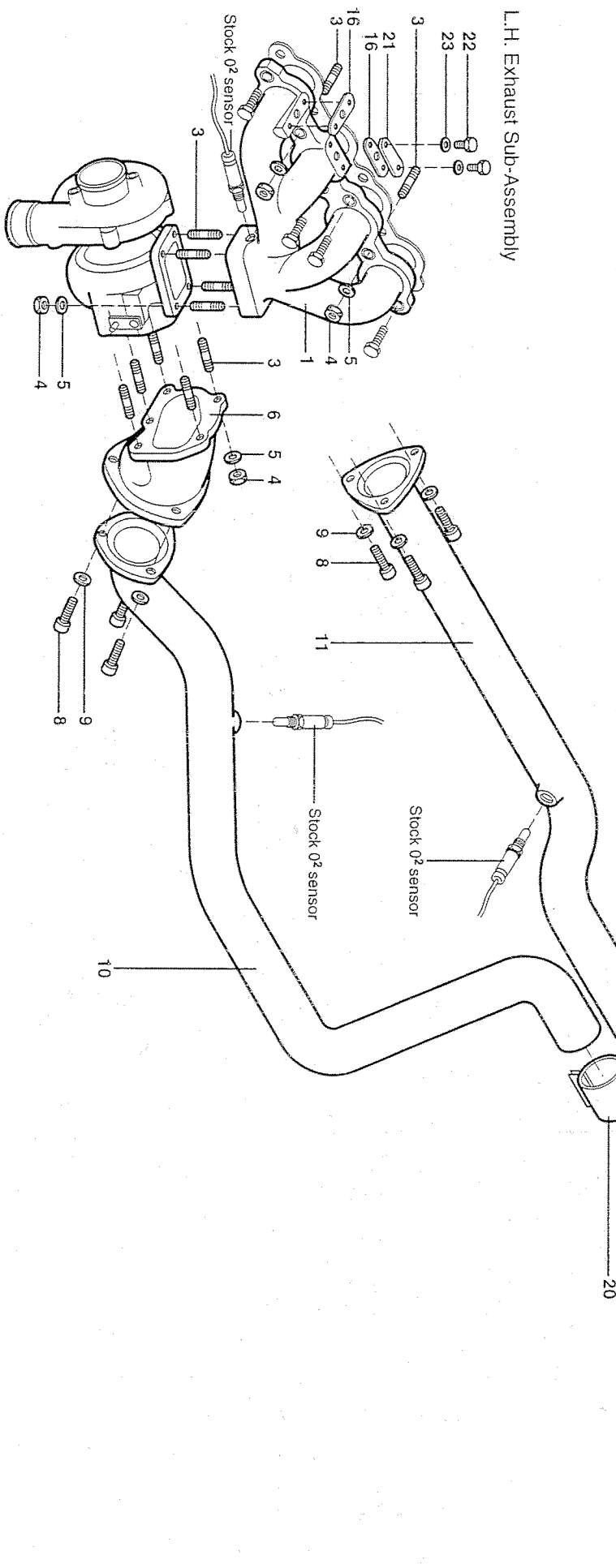


DIAGRAM 1



R.H. Exhaust Sub-Assembly



L.H. Exhaust Sub-Assembly

DIAGRAM 2

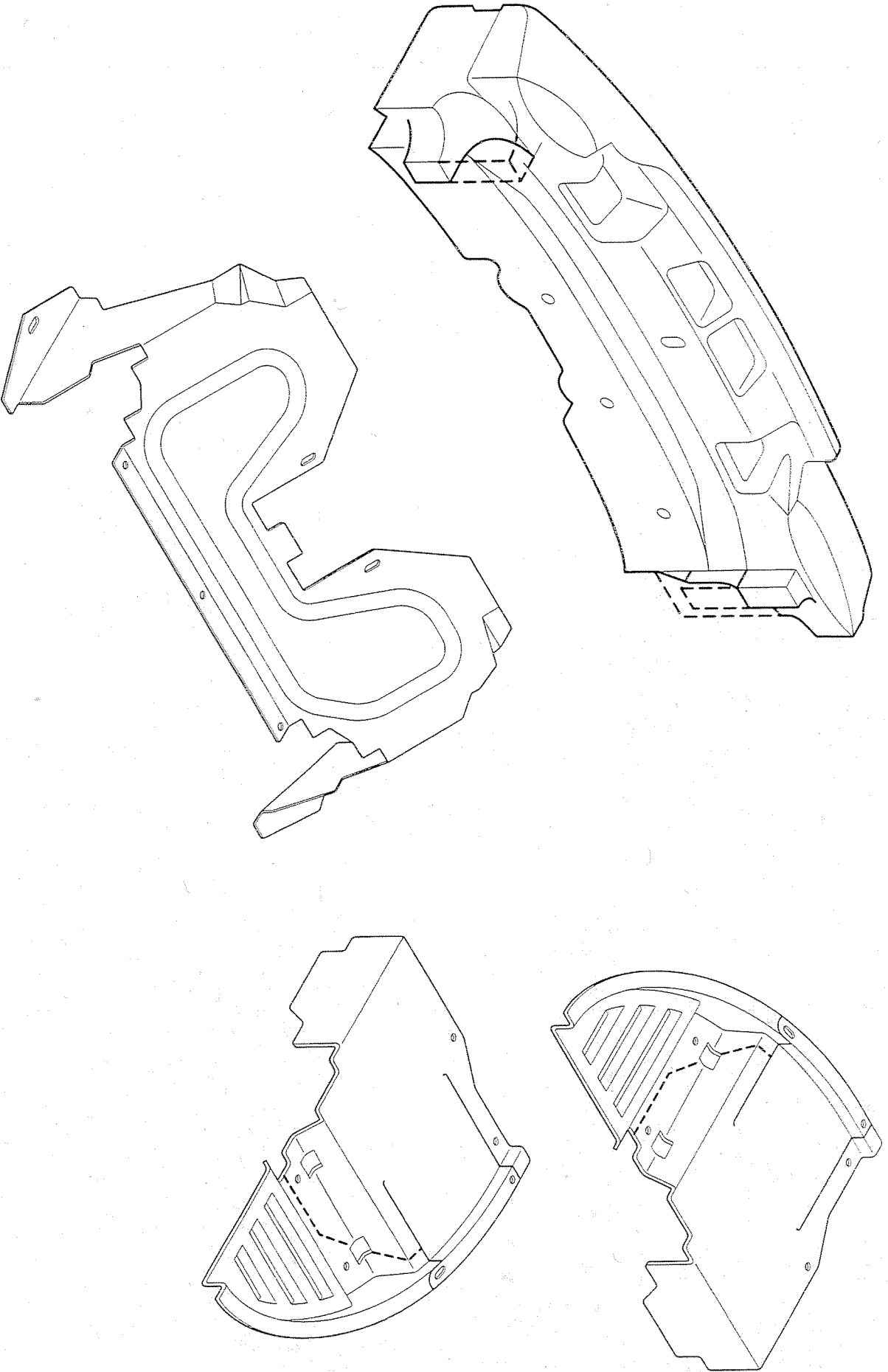
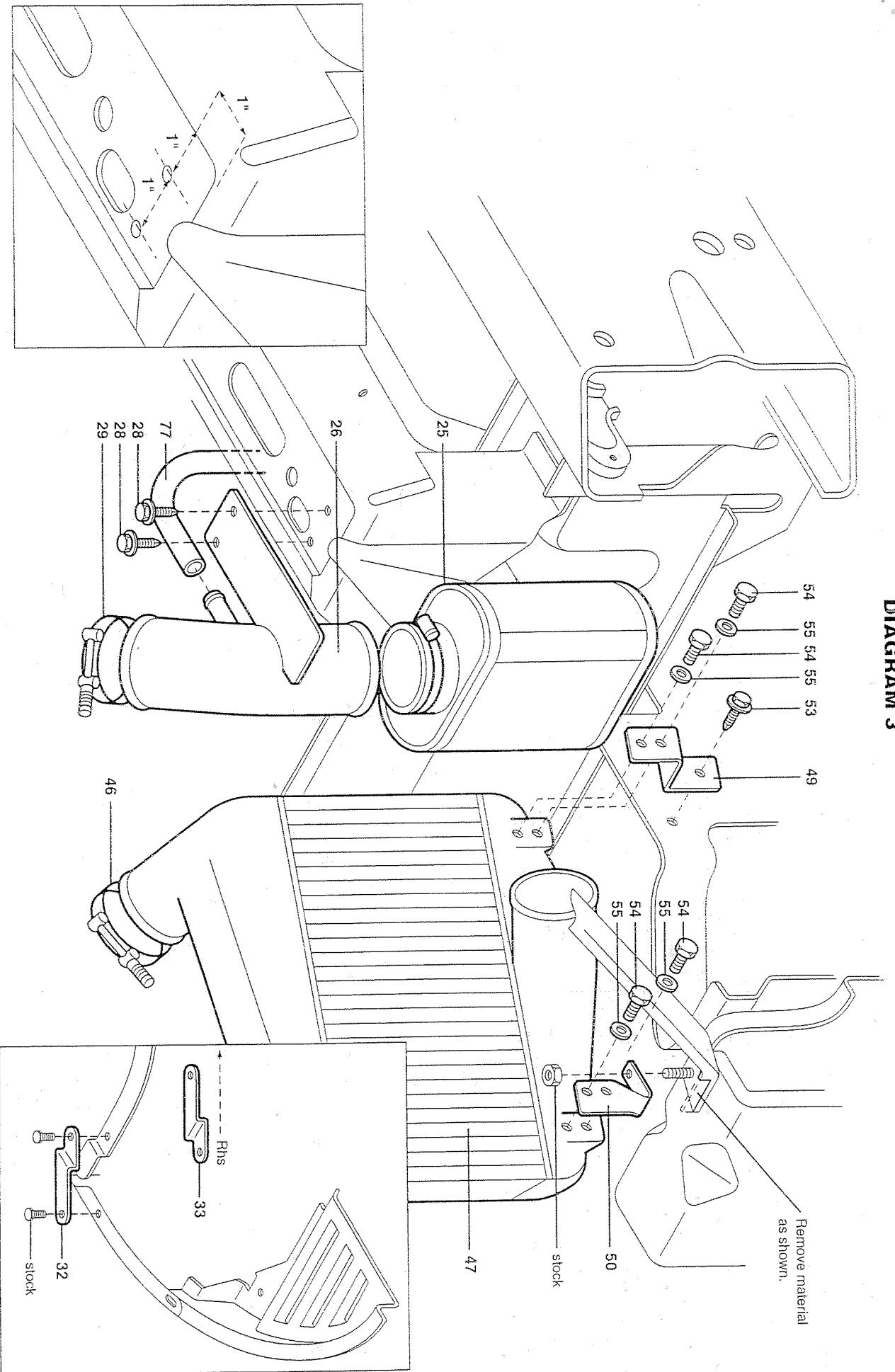


DIAGRAM 3



INCON SYSTEMS Compressor Intake/Discharge Sub-Assemblies - LHS Reference page 2/3 parts list. 307700

DIAGRAM 5

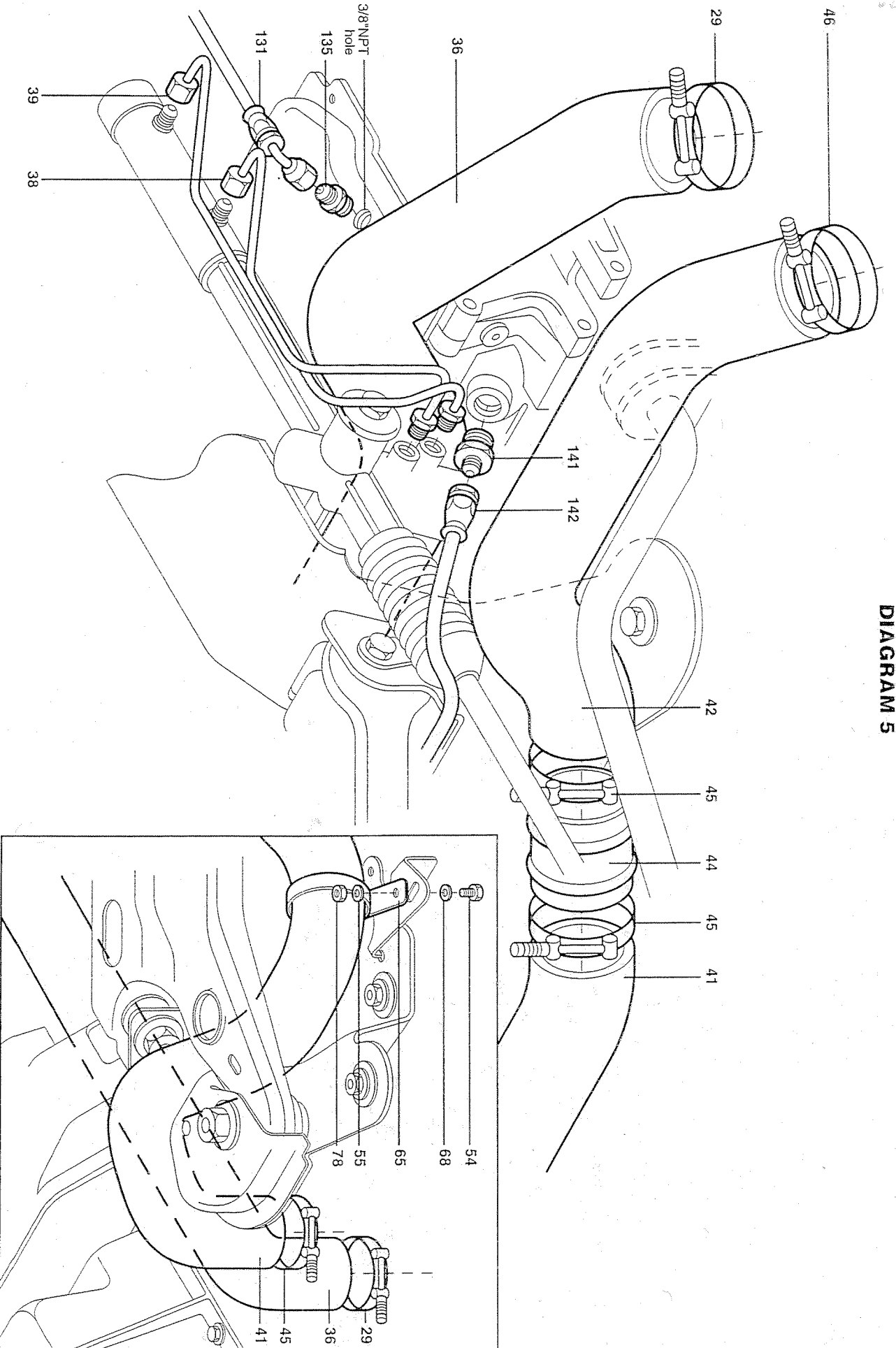


DIAGRAM 6

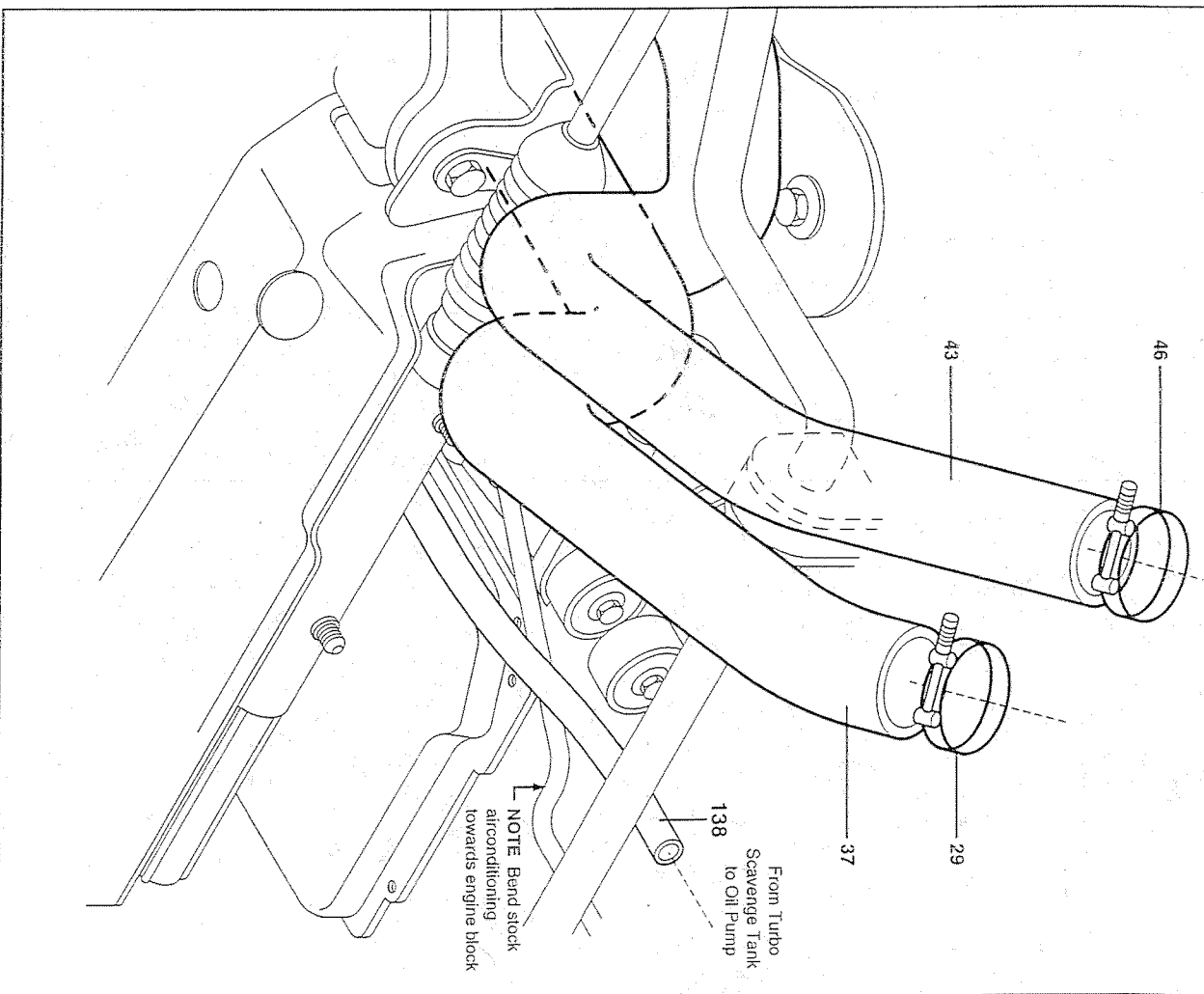
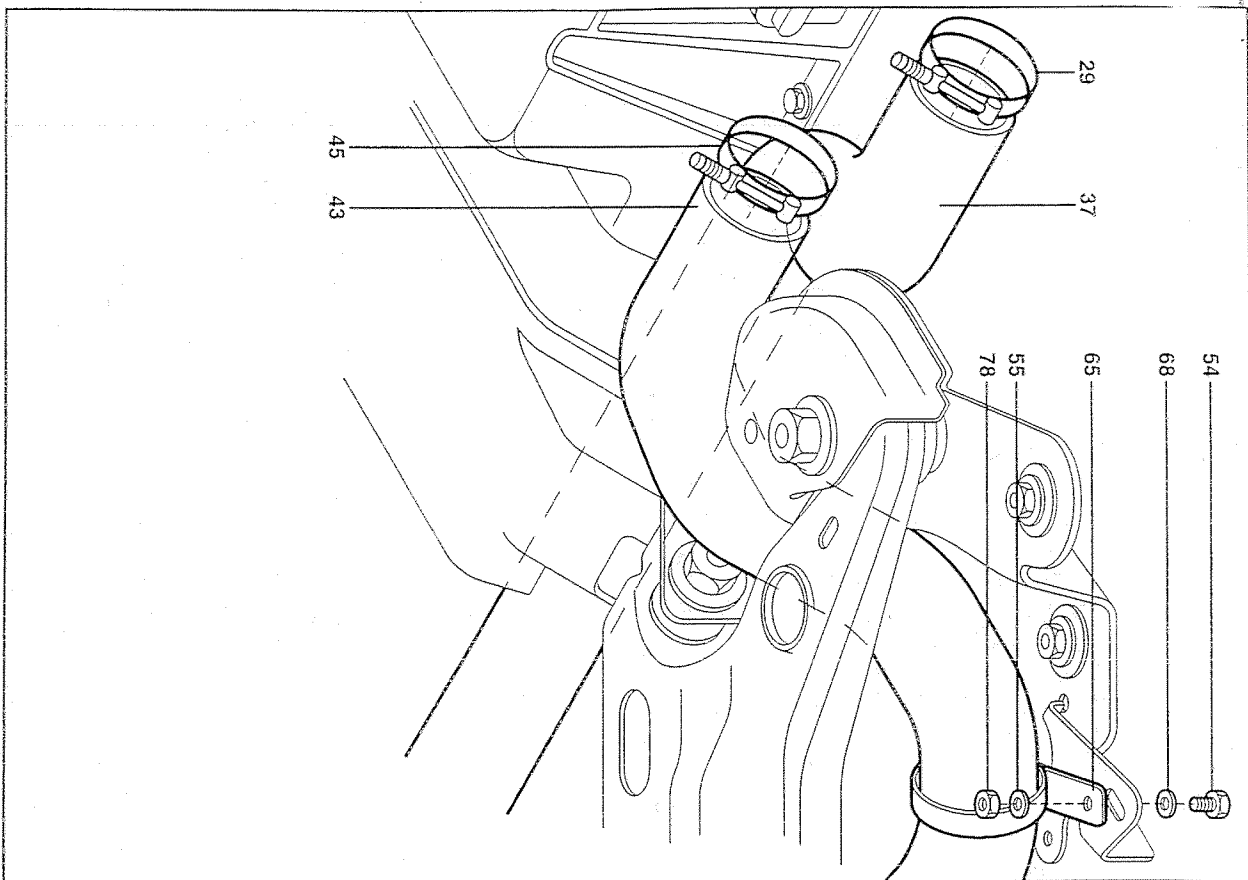


DIAGRAM 8

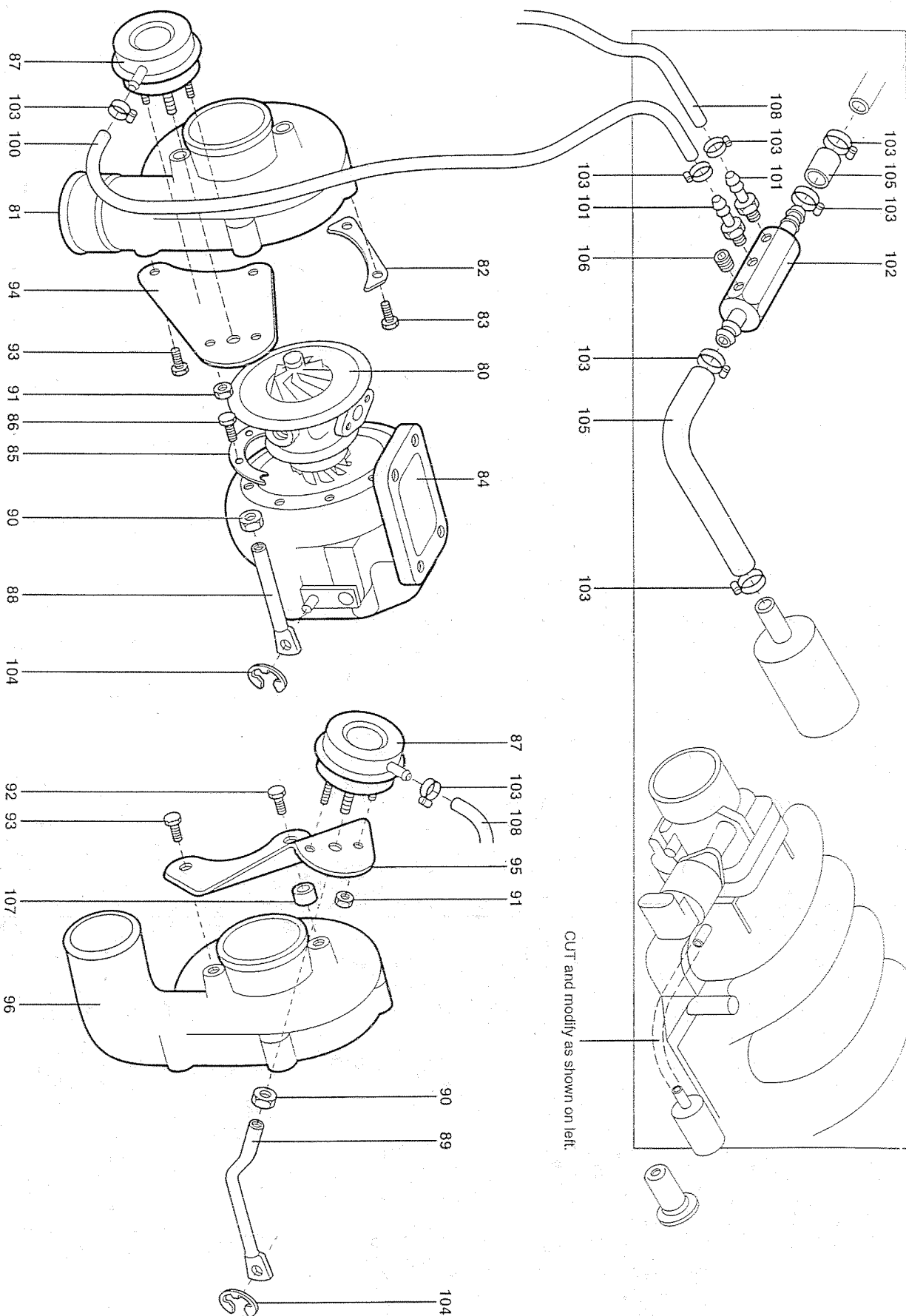
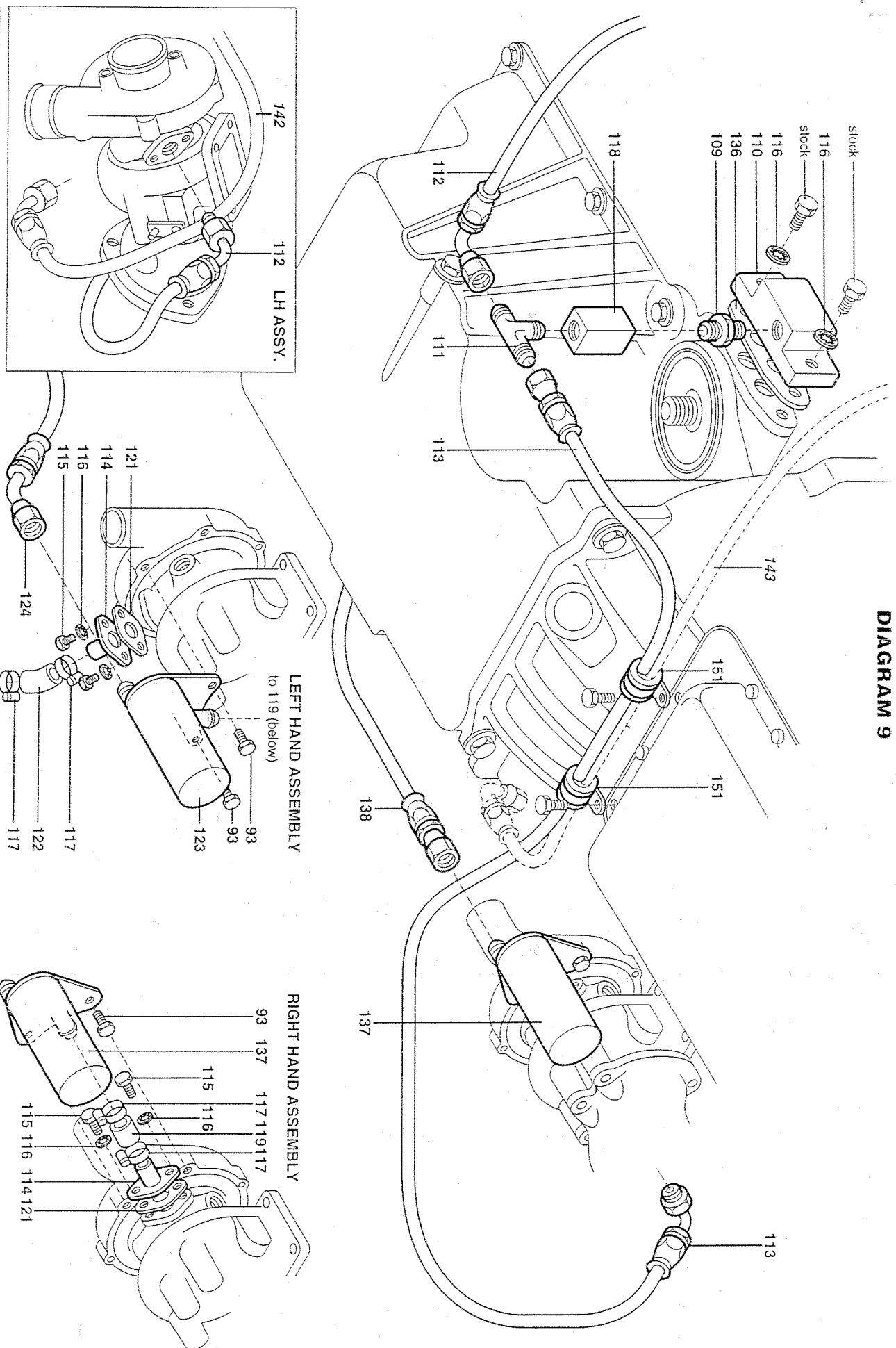


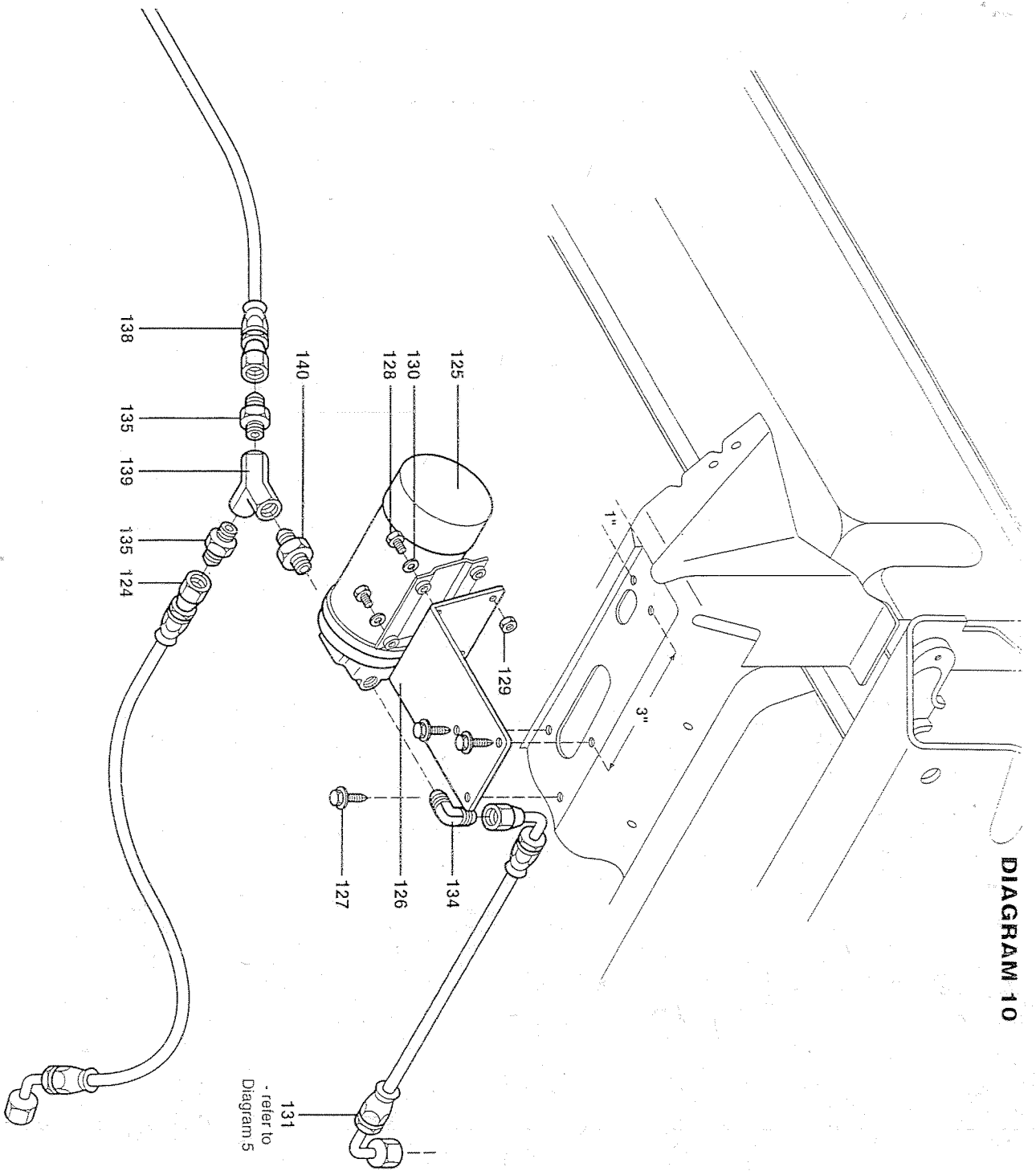
DIAGRAM 9



INCON SYSTEMS Lubrication Sub-Assembly P/n: 380-6000-000 Reference page 5 parts list.

12/10/00

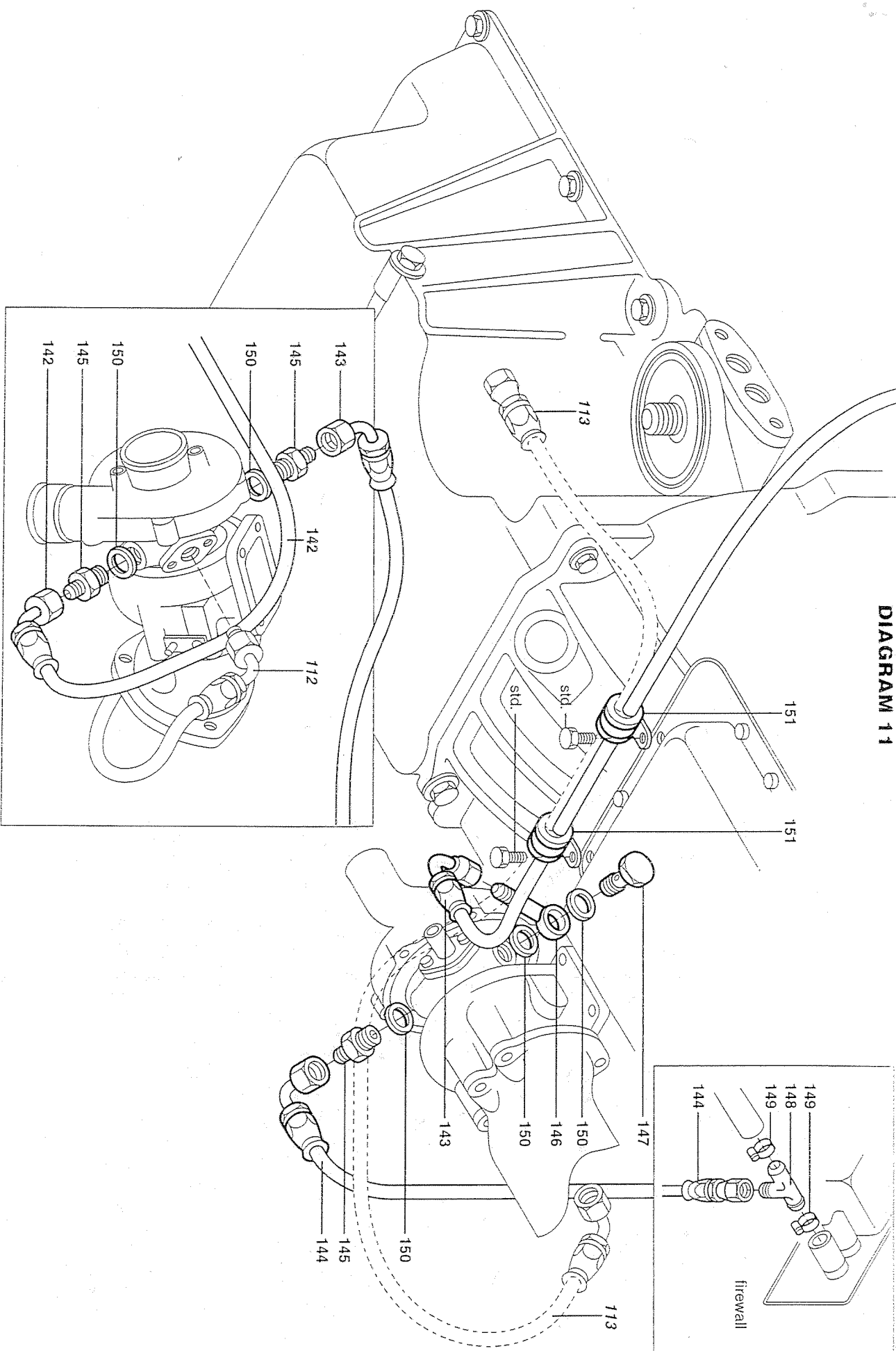
DIAGRAM 10



INCON SYSTEMS Lubrication Sub-Assembly P/n: 380-6000-000 Reference page 5 parts list.

12/10/00

DIAGRAM 11



INCON SYSTEMS Watercooling Sub-Assembly P/n: 380-7000-000 Reference page 6 parts list. 11/09/00

DIAGRAM 12

